

# MOLE

with tube



**PRODUCT COMPOSITION**

SBR+EPDM rubber granules, aliphatic PU binder, vandal-resistant fiberglass shell, stainless steel (opt. PVC) tube

**COLOR COMBINATION**

standard: earth yellow, black, brown  
(other combination on request)

**COLOR STABILITY**

UV stable

Product is offered either with PVC or stainless steel tube Ø460mm.

**RECOMMENDED SAFETY SURFACE**

safety rubber surface in the area of 1500mm around the product (according to EN1177)

**PRODUCT SAFETY**

certified according to EN1176  
complies with ASTM F1487 and CAN/CSA Z614

**INSTALLATION**

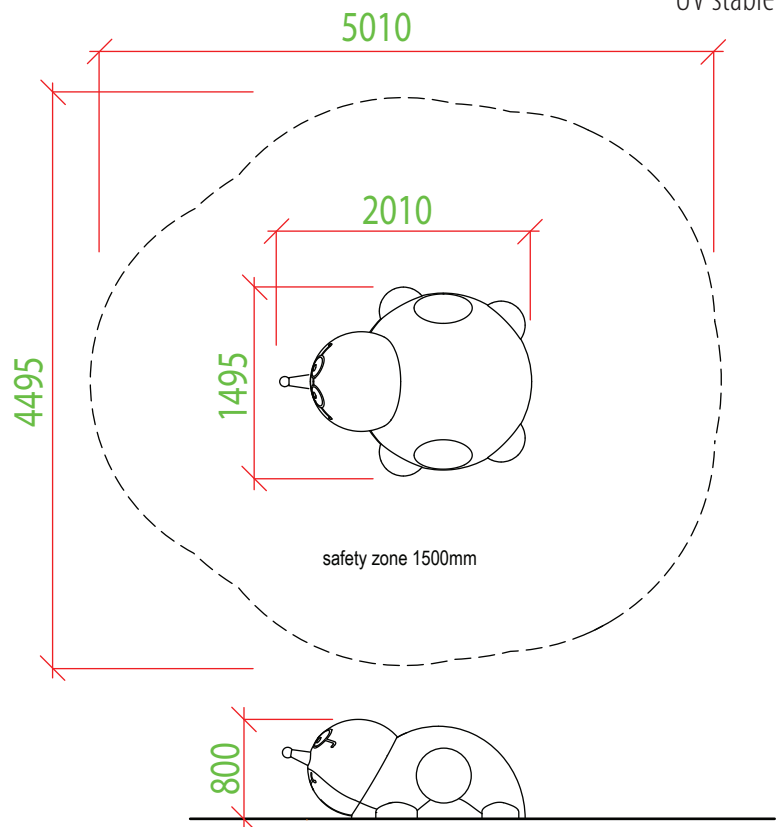
the product is installed onto a concrete foundation

**PACKAGING**

wrapped in plastic and delivered on a pallet 1650 x 2100mm

**STORAGE**

in original packaging on a pallet  
in temperatures between - 40° C and 50° C



Our products are handmade, please allow dimensional tolerance up to 40 mm

<b>150 kg</b> weight	<b>800 mm</b> critical fall height	<b>1 h</b> assembly time	<b>2 - 10 yrs</b> users' age	<b>5</b> max. number of users	<b>2010 x 1495 mm</b> <b>h=800 mm</b>
-------------------------	---------------------------------------	-----------------------------	---------------------------------	----------------------------------	--

**3D PROGRAM, s.r.o.**

Objízdná 1911  
765 02 Otrokovice  
Czech Republic



MADE IN EU

www.3dprogram.eu  
info@3dprogram.eu  
+420 602 500 045 +420 577 700 718

